



# Modem & Wi-Fi Router Self-Connect Guide

Arris CM9200 & GigaSpire BLAST u6



**WESTMAN** | COMMUNICATIONS GROUP

# Wi-Fi Modem Self-Connect Guide

## What's in the kit.



Modem  
(Arris CM9200)



Router  
(Calix GigaSpire)



Coax Cable



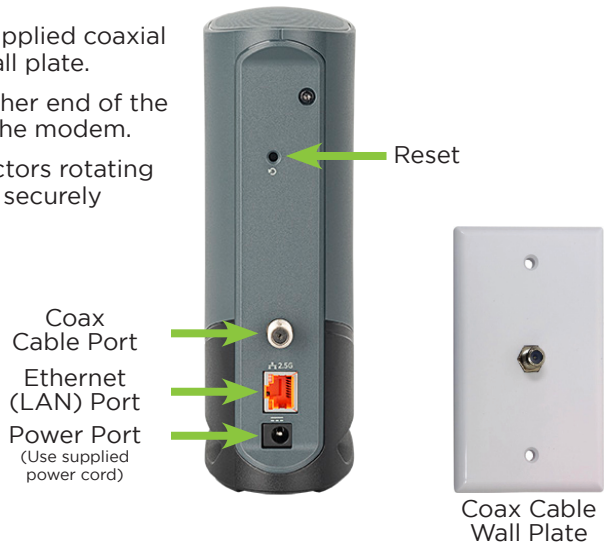
Power Cords  
(Specific for each)



Ethernet  
Cord

## 1 Connect Your Modem

- Connect the supplied coaxial cable to the wall plate.
- Connect the other end of the coax cable to the modem.
- Tighten connectors rotating clockwise until securely fastened.



## 2 Power on Your Modem

- Plug in the supplied power cord to the modem.
- Plug the other end of the power cord into the wall.
- The lights should come on.

### 3 Confirm Modem is Online

- Wait until 2 lights are solid blue. This may take up to 10 minutes.

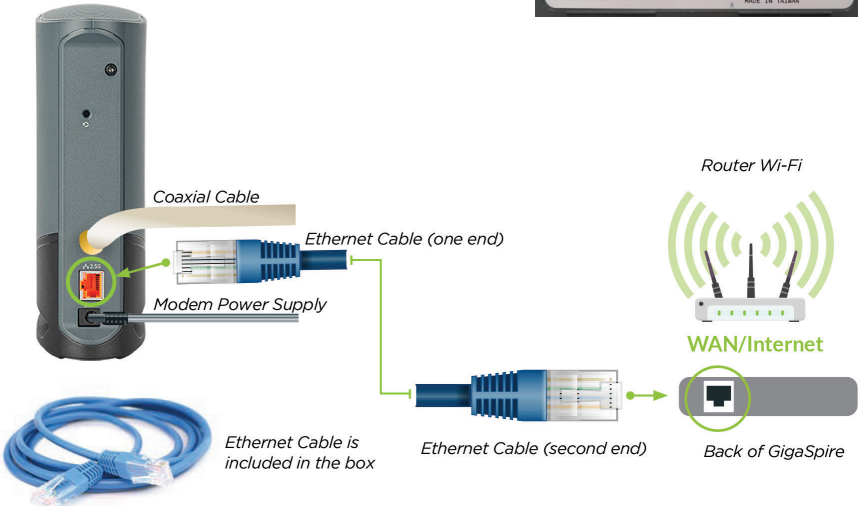
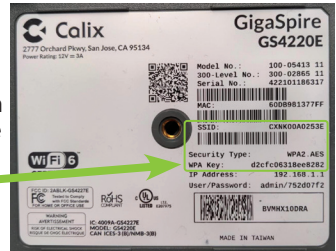


### 4 Connecting Your GigaSpire BLAST Wi-Fi Router

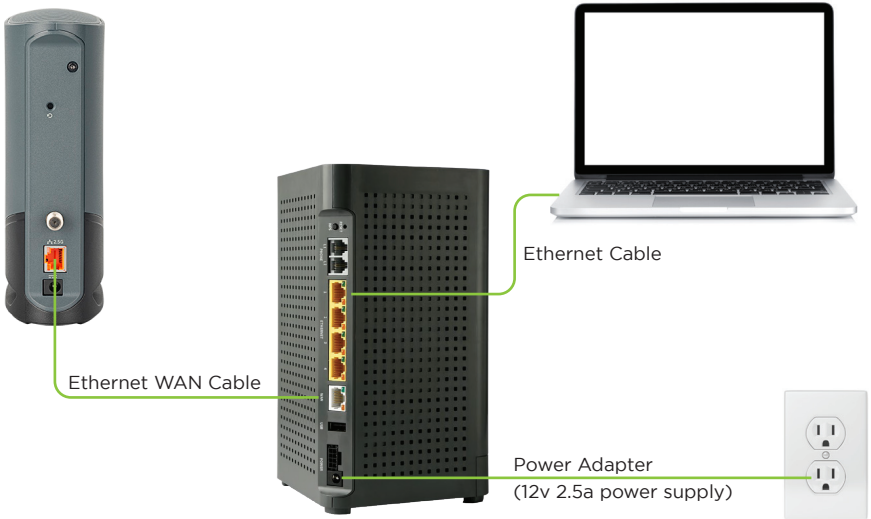
- Plug in the power adapter shipped with the GigaSpire to an available wall socket and attach the other end to the GigaSpire's power port.
- Connect one end of the supplied Ethernet cable to the Yellow LAN Port 1 on the back of the Arris CM9200 internet modem and the other end of the cable to the WAN port on the back of the GigaSpire.
- Once the light is solid green (or blue), and you are able to see the WCG-\*\*\*\*\* SSID with your Wi-Fi devices, initial setup is complete.



Note: The SSID (network name) of your new GigaSpire will update from CXNK-\*\*\*\*\* to WCG-\*\*\*\*\* when the system has updated. The password remains the default setting; as found on the bottom of your GigaSpire **beside 'WPA Key'**.



## 5 Connecting Hardwired Devices



- Connect CAT5 or better cabling to the yellow LAN Ethernet (RJ-45) ports for direct-attached devices.
- Secure all subscriber service wiring as appropriate.

## 6 Get the My Westman Wi-Fi App to set up Wi-Fi

- Please refer to My Westman Wi-Fi User Guide.

---

**We're here to help.**



Please visit [support.westmancom.com](https://support.westmancom.com) and search for “**self-connect**” for more info, or call our support team at 204.717.2802 or 1.800.665.3337.



204.725.4300 1.800.665.3337 westmancom.com